



LP SERIES

GENERAL PURPOSE

LP Series battery incorporate advanced VRLA technology designed for general purpose with 5 years (4.5~35Ah) & 10 years (38~250Ah) design life at 25°C.



Application

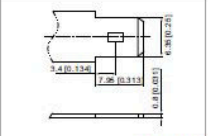
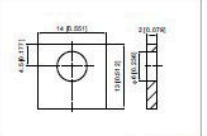
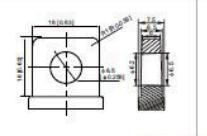
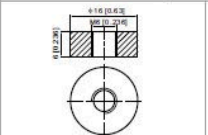
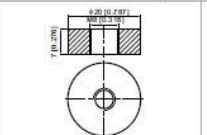
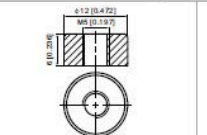
- All purpose
- Uninterruptible Power Supply (UPS)
- Electric Power System (EPS)
- Emergency backup power supply
- Emergency light
- Railway signal
- Aircraft signal
- Alarm and security system
- Electronic apparatus and equipment
- Communication power supply
- DC power supply
- Auto control system
- Telecommunication
- Network Communication
- Solar System

LP Series Features

- Absorbent Glass Mat (AGM) Separators technology for high efficiency, gas absorption of up to 98%
- Using oxygen recombination technology: maintenance-free (no topping up)
- PbCaSn alloy for plate grids: less gassing, less self-discharging
- High quality AGM separator: extend cycle life and prevent micro short circuit
- ABS material: increase the strength of battery container. (Flame-retardant ABS is optional)
- High purity raw material: ensure low self-discharge rate
- No restrictions for rail, road, sea & air transport -Complies with IATA/ICAO Special Provisions A67
- Vent Valve - allows the release of excess gases & prevents case rupture
- Design according with IEC 60896-21/22, BS6290, JIS C 8702, JIS C 8704, Eurobat Guide, etc.

Dimensions & Terminal Options

Unit:mm[inch]

T2 Terminal	T3 Terminal	T5 Terminal	T6 Terminal	T11 Terminal	T12 Terminal
FASTON TYPE (Copper) quick disconnect tabs; silver coating for better conductivity	Brass Coated With Tin Torque: 3.9~ 5.4 N*m(34.39~ 47.75 in*lbs)	Lead Torque: 3.9~ 5.4 N*m(34.39~ 47.75 in*lbs)	Brass Coated With Tin; Threaded Insert 6mm STUD Torque: 3.9~5.4 N*m	Brass Coated With Tin; Threaded Insert 8mm STUD Torque: 11~14.7 N*m	Brass Coated With Tin; Threaded Insert 5mm STUD Torque: 2.0~ 3.0 N*m
					

Specifications

Model	Nominal Voltage (V)	Rated Capacity			Approx Dimension								Approx Weight		Terminal type
		20HR(Ah)	10HR(Ah)	15minR (W/cell)	Length		Width		Height		Total Height		Kg	lbs	
		1.80V/cell	1.80V/cell	1.67V/cell	mm	in.	mm	in.	mm	in.	mm	in.			
LP12-4.5	12	4.50	4.19	13.4	90	3.54	70	2.76	101	3.98	107	4.21	1.48	3.26	T2
LP12-5.4	12	5.40	5.02	16.1	90	3.54	70	2.76	101	3.98	107	4.21	1.65	3.64	T2
LP12-6.0	12	5.80	5.58	17.9	90	3.54	70	2.76	101	3.98	107	4.21	1.88	4.15	T2
LP12-7.0E	12	6.20	5.71	19.5	151	5.94	65	2.56	93.5	3.68	99	3.90	1.82	4.01	T2
LP12-6.5	12	6.50	6.05	21.0	151	5.94	65	2.56	93.5	3.68	99	3.90	2.06	4.54	T2
LP12-7.0	12	7.00	6.53	24.8	151	5.94	65	2.56	93.5	3.68	99	3.90	2.18	4.81	T2
LP12-7.2	12	7.20	6.72	25.4	151	5.94	65	2.56	93.5	3.68	99	3.90	2.35	5.18	T2
LP12-7.8	12	7.80	7.28	27.6	151	5.94	65	2.56	93.5	3.68	99	3.90	2.50	5.51	T2
LP12-8.5	12	8.30	7.75	28.4	151	5.94	65	2.56	93.5	3.68	99	3.90	2.45	5.40	T2
LP12-9.0	12	8.60	7.86	32.6	151	5.94	65	2.56	93.5	3.68	99	3.90	2.66	5.87	T2
LP12-12	12	12.0	11.2	34.7	151	5.94	98	3.86	95	3.74	101	3.98	3.50	7.72	T2
LP12-18	12	18.0	16.7	52.0	181.5	7.15	77	3.03	167.5	6.59	167.5	6.59	5.40	11.9	T3
LP12-20	12	20.0	18.6	64.6	181.5	7.15	77	3.03	167.5	6.59	167.5	6.59	5.78	12.7	T12
LP12-24	12	24.0	22.3	77.5	166	6.54	175	6.89	125	4.92	125	4.92	7.20	15.9	T3
LP12-26	12	26.0	24.2	84.0	166	6.54	175	6.89	125	4.92	125	4.92	7.80	17.2	T12
LP12-28	12	28.0	26.0	90.4	166	6.54	175	6.89	125	4.92	125	4.92	8.40	18.5	T3
LP12-33	12	33.0	30.7	106.6	195	7.68	130	5.12	164	6.46	178	7.01	10.5	23.2	T5
LP12-35	12	35.0	32.6	113.0	195	7.68	130	5.12	164	6.46	178	7.01	11.2	24.7	T5
LP12-38	12	40.0	38.0	115.9	197	7.76	165	6.50	170	6.69	170	6.69	12.2	26.9	T6
LP12-42	12	42.0	40.0	126.3	197	7.76	165	6.50	170	6.69	170	6.69	13.2	29.1	T6
LP12-45	12	46.8	45.0	137.3	197	7.76	165	6.50	170	6.69	170	6.69	14.2	31.3	T6
LP12-55	12	57.2	55.0	167.8	229	9.02	138	5.43	205	8.07	211	8.31	16.2	35.7	T6
LP12-65	12	65.0	62.1	186.9	348	13.70	167	6.57	178	7.01	178	7.01	20.2	44.5	T6
LP12-75	12	78.0	75.0	228.8	260	10.24	168	6.61	208	8.19	214	8.43	22.3	49.2	T6
LP12-90	12	93.6	90.0	274.5	330	12.99	173	6.81	212	8.35	220	8.66	27.8	61.3	T11
LP12-100E	12	103.0	100.0	330.0	330	12.99	173	6.81	212	8.35	220	8.66	27.9	61.5	T11
LP12-100	12	104.0	100.0	330.2	330	12.99	173	6.81	212	8.35	220	8.66	30.6	67.5	T11
LP12-120	12	124.8	120.0	366.0	408	16.06	177	6.97	225	8.86	225	8.86	34.0	75.0	T11
LP12-150	12	156.0	150.0	457.5	483	19.02	170	6.69	239	9.39	238.5	9.39	43.2	95.3	T11
LP12-200	12	208.0	200.0	509.9	522	20.55	240	9.45	218	8.58	224	8.82	59.8	131.9	T11
LP12-250	12	260.0	250.0	762.6	522	20.55	268	10.55	220	8.66	226	8.90	72.5	159.9	T11

Product Description

■ Construction	
Positive Plate	Lead-calcium grids minimize corrosion & prolongs life
Negative Plate	Balanced lead-calcium grids optimize recombination efficiency
AGM Separator	Mechanically strong, low electrical resistance, micro porous glass fiber which completely absorbs the electrolyte into its structure
Terminal Post	Lead casting terminal or threaded copper insert alternative (some models), the copper one provides maximum conductivity.
Venting Valve	EPDM Rubber 10~49KPa release pressure. Resealing at 3~15KPa.
Container / Cover / Lid	ABS (UL-94 HB, UL-94 V0 optional)
■ Performance	
Recommended Maximum Charging Current Limit	Less than 0.3CA
Float Charging Voltage	13.5V~13.8V at 25°C. Temp. Coefficient -20mV/°C
Maximum AC Ripple (Charger)	±0.02V/cell
Self-Discharge	Low self-discharge rate less than 3% / month @20°C
Equalize charge & cycle service life voltage	13.8~14.4V for equalize charge and 14.4~15.0V for cycle charge voltage @25°C

Note: Design and/or specifications subject to change without notice. If questions arise, contact your local Leoch sales representative for clarification.

◆ China sales office:

Add: 5th Floor, Xinbaohui Bldg., Nanhai Blvd., Nanshan, Shenzhen, China.
 Tel: +86-755-86036060(100 lines) E-mail: export@leoch.com

WWW.LEOCH.COM

Publication No: LB-VA-LP-02-16

ETL SEMKO     TS16949 ISO14001 ISO9001

WWW.LEOCH.COM

Stock Code: 00842.HK